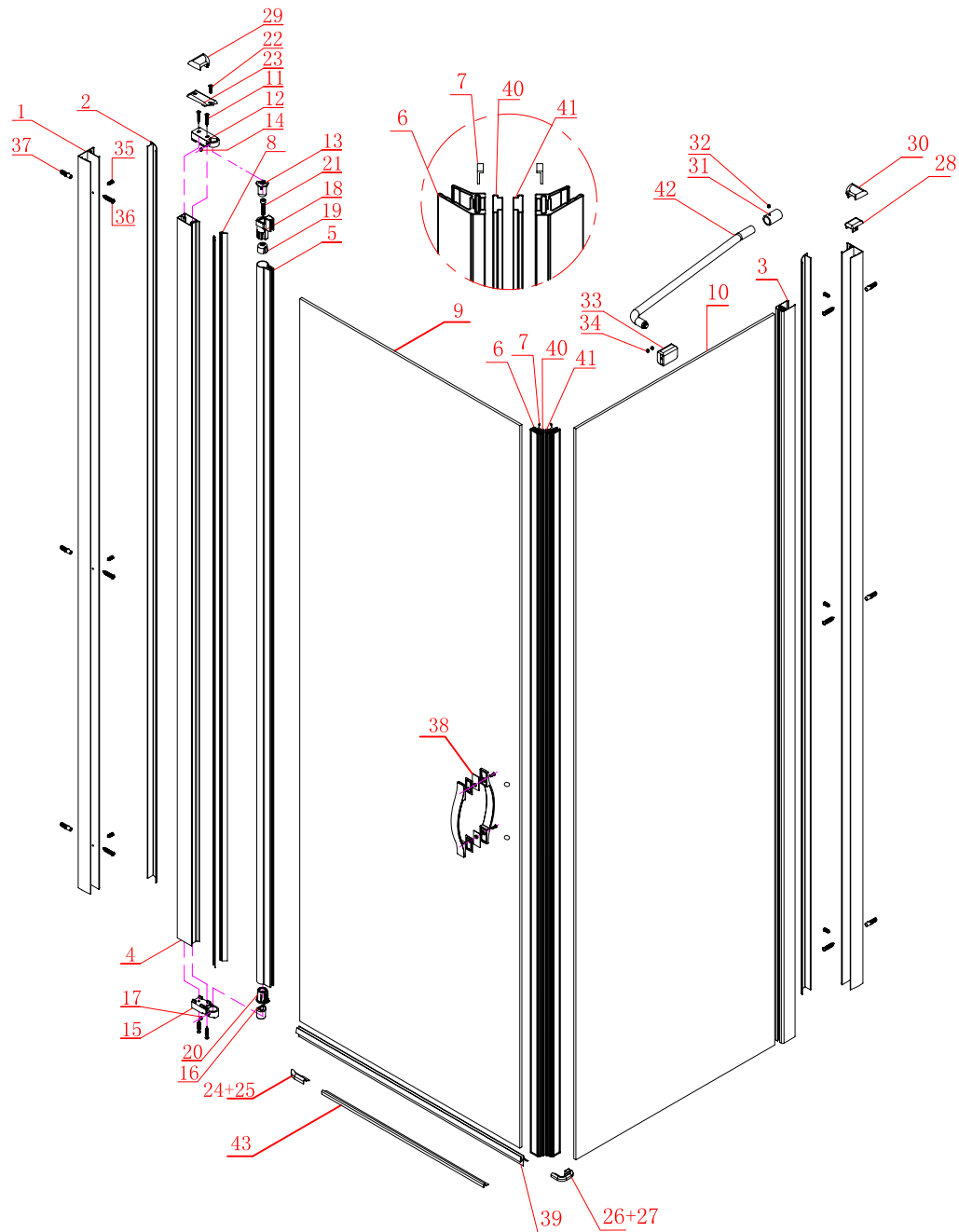


PS2 explosive drawing



1	K168-01	aluminium profile	2	EK-44	aluminium profile cover	3	TBF-05	aluminium profile
4	GT-19	wall profile	5	GA-01	gate post	6	EA681	magnet profile
7	04-016	magnet stripe localizer	8	R1017B	sealing stripe	9	011-GP-145G	moving flat glass
10	N-WP-01	fixed flat glass	11	ST4X30	sink self-tapping screw	12	GA-37	top fixed cover
13	GA-05	top hinge	14	JD-5	tacking	15	GA-38	bottom fixed cover
16	GA-12	bottom hinge	17	JD-5	tacking	18	GA-03	top hinge
19	GA-04	round nut	20	GA-11	bottom hinge cover	21	M6X35	inner six angle round screw
22	M4X15	sink cross screw	23	GA-39	corner bottom cover right	24+25	GA-13/14	connetor left/right
26+27	K-03/04	90 degree connector left/right	28	TBF-24	aluminium profile bottom cover	29+30	GA-29/30	aluminium profile cover left/right
31	GS-25	bar cover	32	JD-5	tacking	33	GS-23-6	bar clamp
34	JD-8	tacking	35	ST4X15	ball self-tapping screw	36	ST5X30	ball self-tapping screw
37	ø8x30	explosion pipe	38	W&M-H0059Z	145 hole distance double handle bar	39	M309D7-6mm	bottom sealing stripe
40+41	RF1016C -9.5*6.6	white magnet stripe	42	GS-28		43	K-07	bottom aluminium profile